



F AUTODESK® FUSION 360™

Fusion 360 Manufacturing Overview

 AUTODESK.

DISCONNECTED PROCESSES



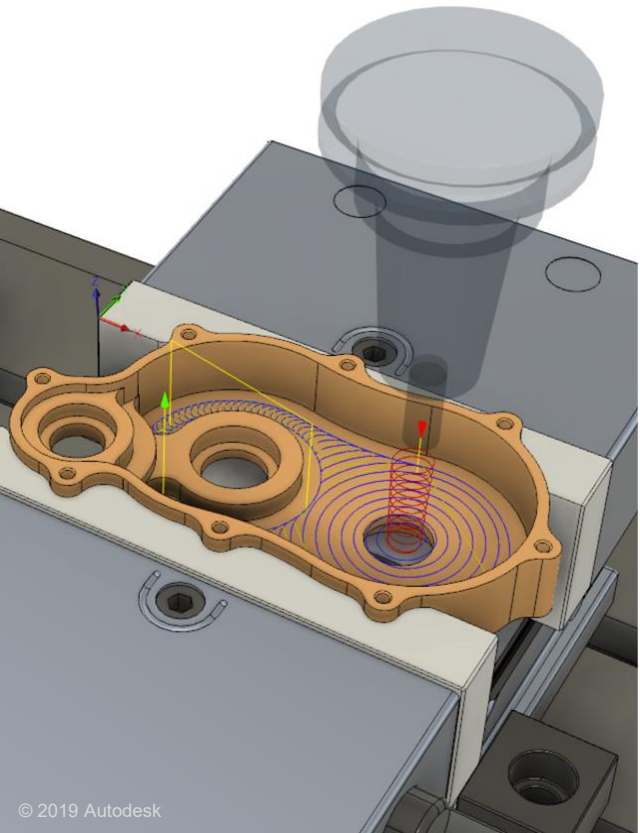
COMMUNICATION BREAKDOWN



RIGID WORKFLOWS



INTEGRATED



COLLABORATIVE



ACCESSIBLE

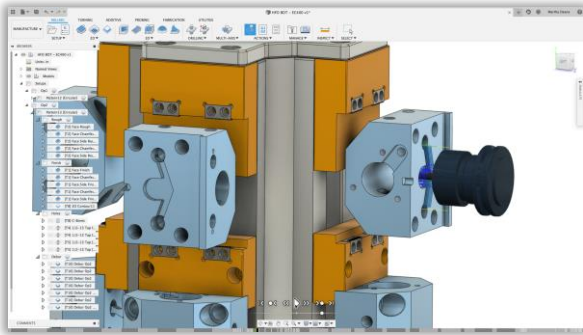


INTEGRATED

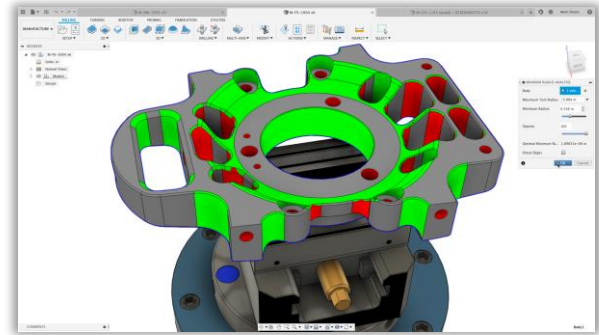
GO FROM DESIGN TO MACHINING FASTER
Changes Update Associatively; No File Conversions



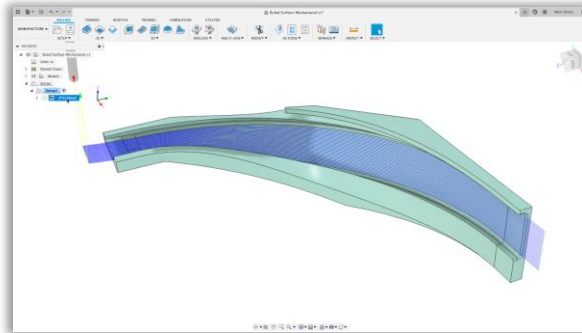
Benefits of Integration



Parametric Workholding Design



Analysis Tools



Surface Modeling for Toolpaths

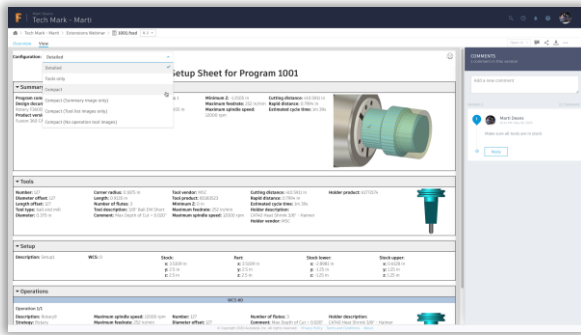
COLLABORATIVE

A man with a beard, glasses, and a grey baseball cap is operating a machine. He is holding a tool that looks like a probe or a stylus, pointing it towards a component of the machine. The machine has a warning sign that reads: "WARNING No user serviceable parts inside Service by authorized technicians only. NOTICE A worn counterbalance spindle will increase wear and decrease cutting accuracy. A new counterbalance spindle must be installed before the next use." The machine also has a logo that says "SSY" and "JMS".

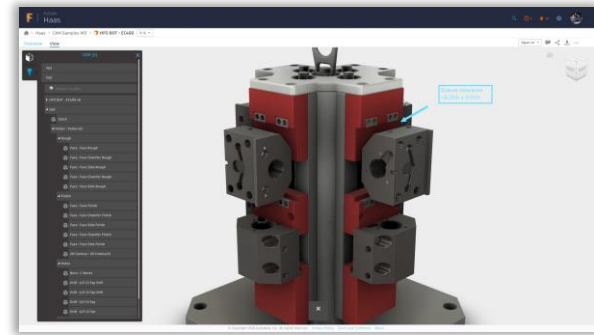
COMMUNICATE FASTER

With Designers, Engineers, and Machine Operators

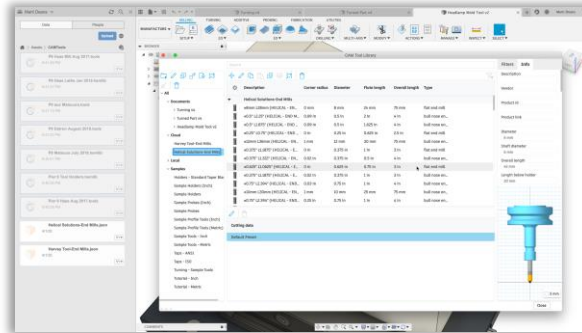
Cloud Collaboration



Setup Sheets in Fusion Team



Markup & Redlining



Cloud Libraries – Tools, Templates, Posts, Machine Configurations

ACCESSIBLE

HAAS ST-10
[Download](#) / [Sample](#) / [Share](#) / [RSS](#)
 Haas Automation
 Purpose: Mill / Turn
 Version: 42302
 Changed: 30 days ago
 Extension: nc
 Downloads: 106
 Preconfigured HAAS ST-10 post with support for mill-turn
 Recent changes

DMG Mori NLX Mill/Turn
[Download](#) / [Share](#) / [RSS](#)
 DMG Mori
 Purpose: Mill / Turn
 Version: 42302
 Changed: 36 days ago
 Extension: nc
 Downloads: 2
 DMG Mori NLX 2 post with support for mill-turn and a 3000L control with HMI/PLC
 Recent changes

HAAS ST-35
[Download](#) / [Sample](#) / [Share](#) / [RSS](#)
 Haas Automation
 Purpose: Mill / Turn
 Version: 42302
 Changed: 30 days ago
 Extension: nc
 Downloads: 2
 Preconfigured HAAS ST-35 post with support for mill-turn, Prolog-Bot
 Recent changes

Mitsubishi
[Download](#) / [Share](#) / [RSS](#)
 Mitsubishi
 Purpose: Milling
 Version: 42302
 Changed: 30 days ago
 Extension: nc
 Downloads: 2
 Generic milling post for Mitsubishi
 Recent changes

Mitsubishi Turning
[Download](#) / [Share](#) / [RSS](#)
 Mitsubishi
 Purpose: Turning
 Version: 42307
 Changed: 202 days ago
 Extension: nc
 Downloads: 1
 Generic turning post for Mitsubishi
 Recent changes

Mitsubishi Turning
[Download](#) / [Share](#) / [RSS](#)
 Mitsubishi
 Purpose: Turning
 Version: 42307
 Changed: 202 days ago
 Extension: nc
 Downloads: 1
 Generic turning post for Mitsubishi
 Recent changes

HAAS ST-20Y
[Download](#) / [Sample](#) / [Share](#) / [RSS](#)
 Haas Automation
 Purpose: Mill / Turn
 Version: 42302
 Changed: 30 days ago
 Extension: nc
 Downloads: 136
 Preconfigured HAAS ST-20Y post with support for mill-turn
 Recent changes

DMG Mori CMX with FANUC control
[Download](#) / [Share](#) / [RSS](#)
 DMG Mori
 Purpose: Milling
 Version: 42308
 Changed: 62 days ago
 Extension: nc
 Downloads: 1
 DMG Mori CMX series horizontal machining center with optional rotary table and a FANUC
 Recent changes

HAAS ST-25
[Download](#) / [Sample](#) / [Share](#) / [RSS](#)
 Haas Automation
 Purpose: Mill / Turn
 Version: 42302
 Changed: 30 days ago
 Extension: nc
 Downloads: 236
 Preconfigured HAAS ST-25 post with support for mill-turn. You can force
 Recent changes

Mitsubishi Turning
[Download](#) / [Share](#) / [RSS](#)
 Mitsubishi
 Purpose: Turning
 Version: 42307
 Changed: 202 days ago
 Extension: nc
 Downloads: 1
 Generic turning post for Mitsubishi. Use the properly 'type' to switch the Mitsubishi
 Turnet 102 for OCTOP on X-Post. Turnet 103 for Gang Tooling on X-Post. Turnet 104 for Gang 7
 Recent changes

Mitsubishi Turning
[Download](#) / [Share](#) / [RSS](#)
 Mitsubishi
 Purpose: Turning
 Version: 42307
 Changed: 202 days ago
 Extension: nc
 Downloads: 1
 Generic turning post for Mitsubishi. Use the properly 'type' to switch the Mitsubishi
 Turnet 102 for OCTOP on X-Post. Turnet 103 for Gang Tooling on X-Post. Turnet 104 for Gang 7
 Recent changes

Mazak Laser
[Download](#) / [Share](#) / [RSS](#)
 Mazak
 Purpose: Waterjet / Laser / Plasma
 Version: 42315
 Changed: 204 days ago
 Extension: ncc
 Downloads: 1
 Generic post for Mazak laser cutting
 Recent changes

HAAS ST-20
[Download](#) / [Sample](#) / [Share](#) / [RSS](#)
 Haas Automation
 Purpose: Mill / Turn
 Version: 42302
 Changed: 30 days ago
 Extension: nc
 Downloads: 123
 Preconfigured HAAS ST-20 post with support for mill-turn
 Recent changes

FANUC
[Download](#) / [Share](#) / [RSS](#)
 FANUC
 Purpose: Milling
 Version: 42307
 Changed: 4 days ago
 Extension: nc
 Downloads: 10
 Generic post for FANUC
 Recent changes

HAAS DS-30Y
[Download](#) / [Sample](#) / [Share](#) / [RSS](#)
 Haas Automation
 Purpose: Mill / Turn
 Version: 42302
 Changed: 30 days ago
 Extension: nc
 Downloads: 326
 Preconfigured HAAS DS-30Y post with support for mill-turn. You can
 Recent changes

Fadal
[Download](#) / [Share](#) / [RSS](#)
 Fadal
 Purpose: Milling
 Version: 42285
 Changed: 86 days ago
 Extension: nc
 Downloads: 1
 Generic milling post for Fadal
 Recent changes

Mazak Mill with rotary table
[Download](#) / [Share](#) / [RSS](#)
 Mazak
 Purpose: Milling
 Version: 42315
 Changed: 204 days ago
 Extension: elia
 Downloads: 1
 Generic milling post for Mazak with a rotary table
 Recent changes

Mazak Mill with rotary table
[Download](#) / [Share](#) / [RSS](#)
 Mazak
 Purpose: Milling
 Version: 42315
 Changed: 204 days ago
 Extension: elia
 Downloads: 1
 Generic milling post for Mazak with a rotary table
 Recent changes

HAAS ST-30
[Download](#) / [Sample](#) / [Share](#) / [RSS](#)
 Haas Automation
 Purpose: Mill / Turn
 Version: 42302
 Changed: 30 days ago
 Extension: nc
 Downloads: 97
 Preconfigured HAAS ST-30 post with support for mill-turn. You can fa
 Recent changes

FANUC Turning
[Download](#) / [Share](#) / [RSS](#)
 FANUC
 Purpose: Turning
 Version: 42333
 Changed: 102 days ago
 Extension: nc
 Downloads: 2
 Generic turning post for FANUC. Use the properly 'type' to switch the FANUC mode A,B, and C. The 1
 for OCTOP on X-Post. Turnet 102 for Gang Tooling on X-Post. Turnet 103 for Gang Tooling on X-Tool Post
 Recent changes

HAAS ST-35Y
[Download](#) / [Sample](#) / [Share](#) / [RSS](#)
 Haas Automation
 Purpose: Mill / Turn
 Version: 42302
 Changed: 30 days ago
 Extension: nc
 Downloads: 209
 Preconfigured HAAS ST-35Y post with support for mill-turn
 Recent changes

Siemens Turning
[Download](#) / [Share](#) / [RSS](#)
 Siemens
 Purpose: Turning
 Version: 42326
 Changed: 28 days ago
 Extension: mpf
 Downloads: 1
 Generic lathe post for Siemens. Use Turnet 0 for Positional Turnet. Turnet 101 for OCTOP on X
 on X-Tool Post
 Recent changes

Siemens Turning
[Download](#) / [Share](#) / [RSS](#)
 Siemens
 Purpose: Turning
 Version: 42326
 Changed: 28 days ago
 Extension: mpf
 Downloads: 1
 Generic lathe post for Siemens. Use Turnet 0 for Positional Turnet. Turnet 101 for OCTOP on X
 on X-Tool Post
 Recent changes

Siemens SINUMERIK 840C
[Download](#) / [Share](#) / [RSS](#)
 Siemens
 Purpose: Milling
 Version: 42323
 Changed: 2 days ago
 Extension: mpf
 Downloads: 1
 Generic post for Siemens 840C. Note that the post will use D16 axis
 Recent changes

HAAS ST-30Y
[Download](#) / [Sample](#) / [Share](#) / [RSS](#)
 Haas Automation
 Purpose: Mill / Turn
 Version: 42302
 Changed: 30 days ago
 Extension: nc
 Downloads: 68
 Preconfigured HAAS ST-30Y post with support for mill-turn. Yo
 Recent changes

HURCO
[Download](#) / [Share](#) / [RSS](#)
 HURCO
 Purpose: Milling
 Version: 42286
 Changed: 80 days ago
 Extension: hnc
 Downloads: 3
 Generic post for HURCO. Note that this post supports both ISO/NC/NC modal and BNC/E
 properly. Also note that you can turn on 3D axis by enabling the allow3DAxis property so y
 Recent changes

HAAS ST-25Y
[Download](#) / [Sample](#) / [Share](#) / [RSS](#)
 Haas Automation
 Purpose: Mill / Turn
 Version: 42302
 Changed: 30 days ago
 Extension: nc
 Downloads: 263
 Preconfigured HAAS ST-25Y post with support for mill-turn
 Recent changes

Siemens Mill-Turn
[Download](#) / [Share](#) / [RSS](#)
 Siemens
 Purpose: Mill / Turn
 Version: 42310
 Changed: 25 days ago
 Extension: mpf
 Downloads: 6
 Generic Siemens mill-turn post. This post must be customized for the particular capabilities
 Recent changes

Siemens Mill-Turn
[Download](#) / [Share](#) / [RSS](#)
 Siemens
 Purpose: Mill / Turn
 Version: 42310
 Changed: 25 days ago
 Extension: mpf
 Downloads: 6
 Generic Siemens mill-turn post. This post must be customized for the particular capabilities
 Recent changes

Siemens SINUMERIK 802D
[Download](#) / [Share](#) / [RSS](#)
 Siemens
 Purpose: Milling
 Version: 42326
 Changed: 28 days ago
 Extension: mpf
 Downloads: 1
 Generic post for Siemens SINUMERIK 802D
 Recent changes

HAAS ST-15
[Download](#) / [Sample](#) / [Share](#) / [RSS](#)
 Haas Automation
 Purpose: Mill / Turn
 Version: 42302
 Changed: 30 days ago
 Extension: nc
 Downloads: 36
 Preconfigured HAAS ST-15 post with support for mill-turn. Yo
 Recent changes

HURCO 3D
[Download](#) / [Share](#) / [RSS](#)
 HURCO
 Purpose: Milling
 Version: 42302
 Changed: 48 days ago
 Extension: hnc
 Downloads: 1
 Generic post for HURCO. Note that this post supports both ISO/NC/NC modal and BNC/E
 properly. Also note that you can turn on 3D axis by enabling the allow3DAxis property so y
 Recent changes

HAAS DS-30SSY
[Download](#) / [Sample](#) / [Share](#) / [RSS](#)
 Haas Automation
 Purpose: Mill / Turn
 Version: 42302
 Changed: 30 days ago
 Extension: nc
 Downloads: 2
 Preconfigured HAAS DS-30SSY post with support for mill-turn
 Recent changes

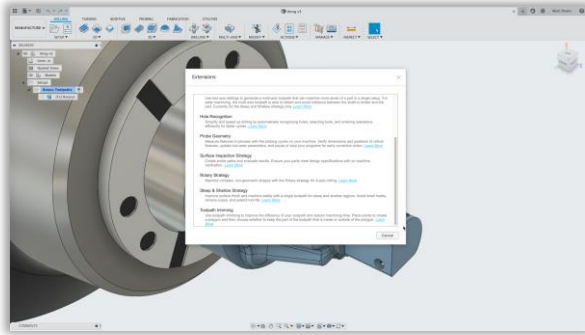
Siemens SINUMERIK 810D
[Download](#) / [Share](#) / [RSS](#)
 Siemens
 Purpose: Milling
 Version: 42323
 Changed: 2 days ago
 Extension: mpf
 Downloads: 1
 Generic post for Siemens 810D with optional tool capabilities
 Recent changes

Siemens SINUMERIK 810D
[Download](#) / [Share](#) / [RSS](#)
 Siemens
 Purpose: Milling
 Version: 42323
 Changed: 2 days ago
 Extension: mpf
 Downloads: 1
 Generic post for Siemens 810D with optional tool capabilities
 Recent changes

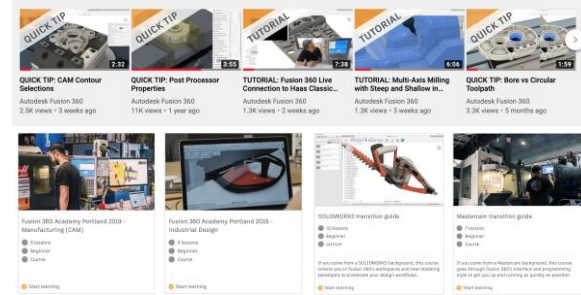
Siemens SINUMERIK 840D Insp
[Download](#) / [Share](#) / [RSS](#)
 Siemens
 Purpose: Milling
 Version: 42323
 Changed: 2 days ago
 Extension: mpf
 Downloads: 1
 Generic post for Siemens 840D with optional tool capabilities
 Recent changes

DATA, LEARNING, TECHNOLOGY
 Across Devices, Post Processors, Training & Consumption Services

Accessibility



Subscription Model

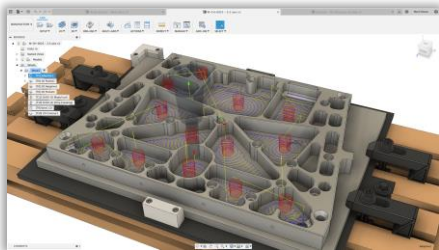


Learning Content

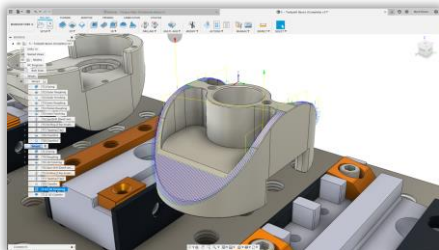


Mazak

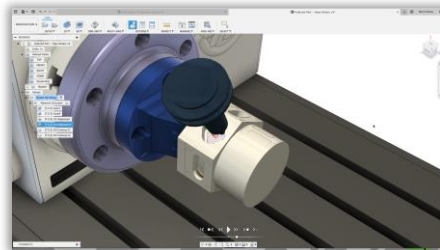
Hardware Partnerships



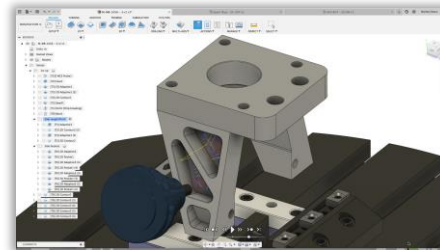
2.5D



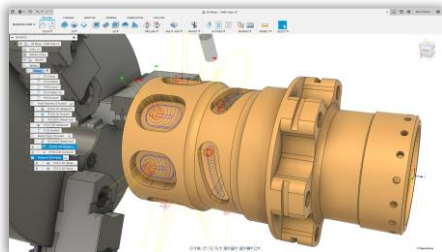
3D



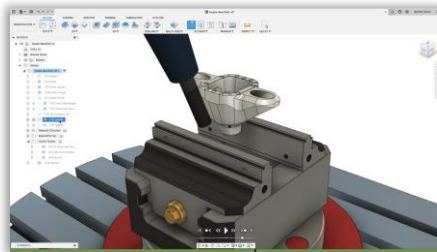
3+1



3+2

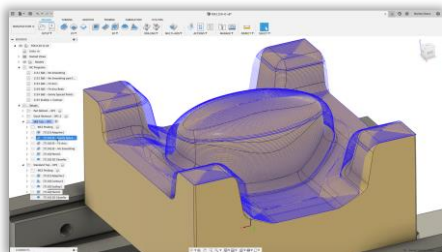


4-axis Wrapped

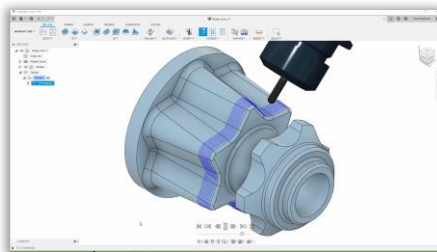


5-axis

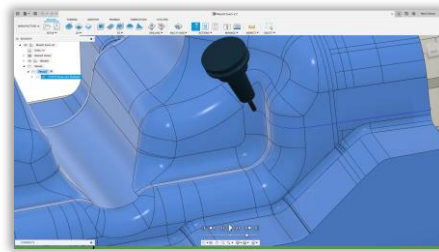
Contour with Tilting
Flow
Multi-axis Contour
Swarf



3-axis Steep & Shallow



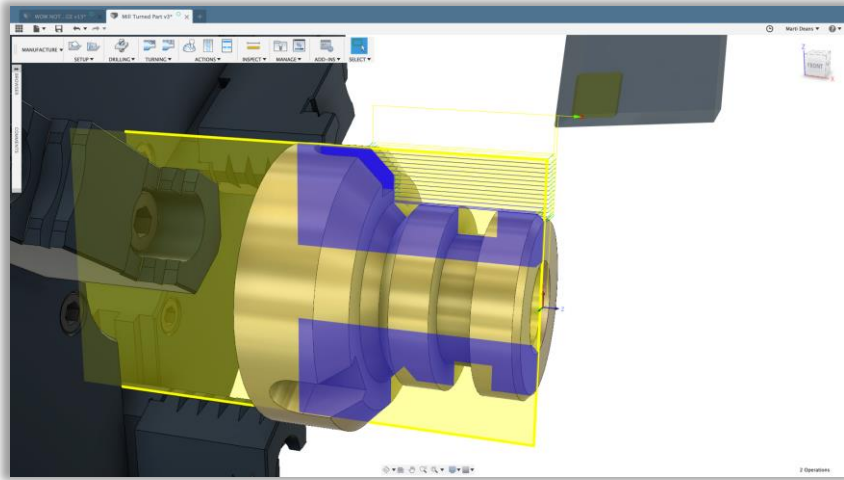
4-axis Rotary



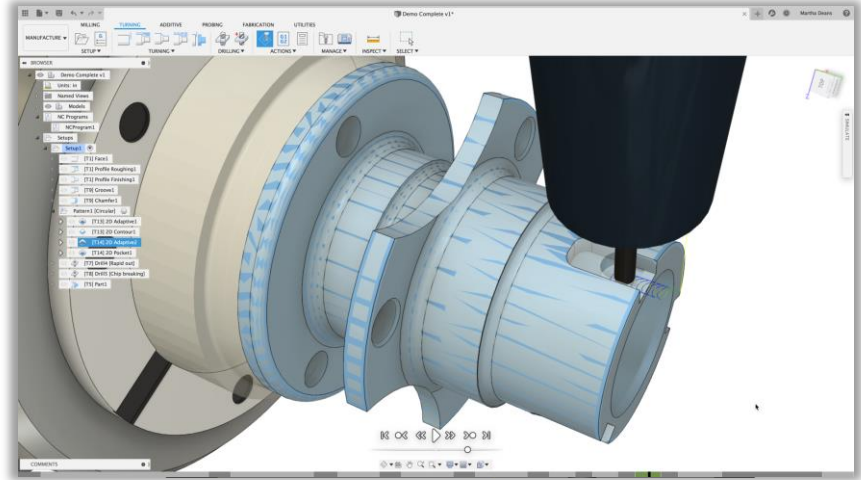
5-axis Tilting/Collision
Avoidance

Manufacturing Extension

Turning

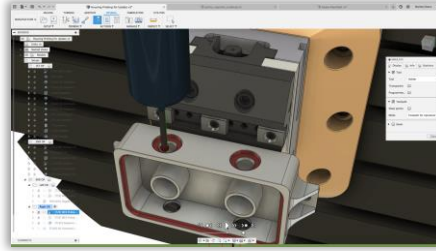


2-axis Turning

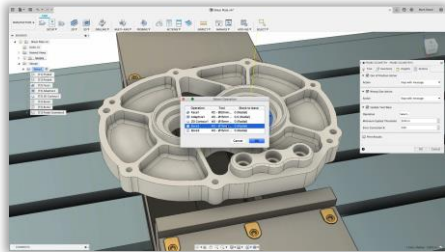


Mill/Turn

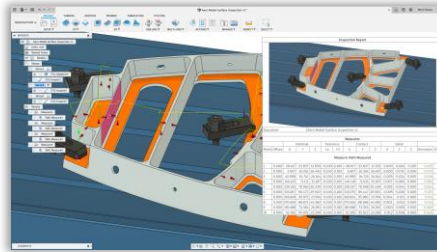
Inspection



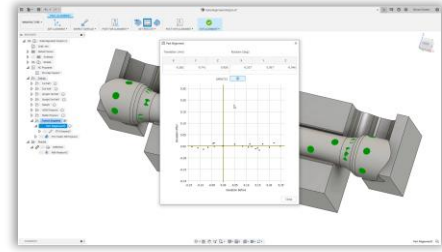
WCS Probing



Probe Geometry



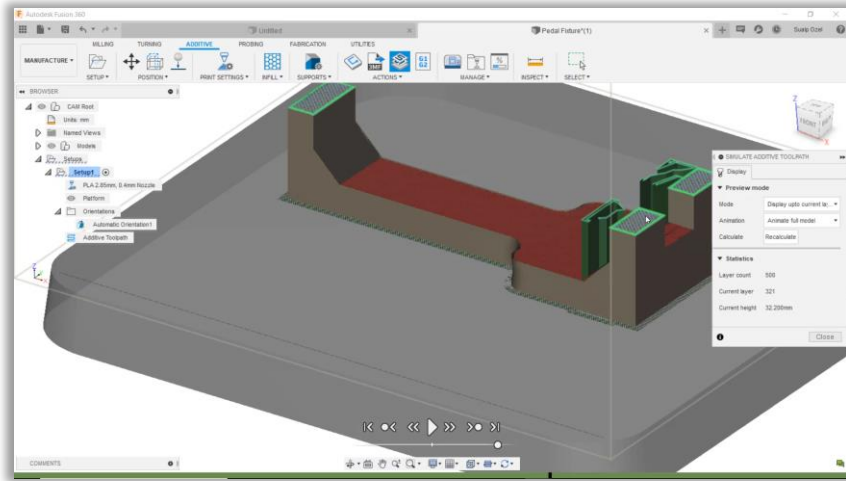
Surface Inspection



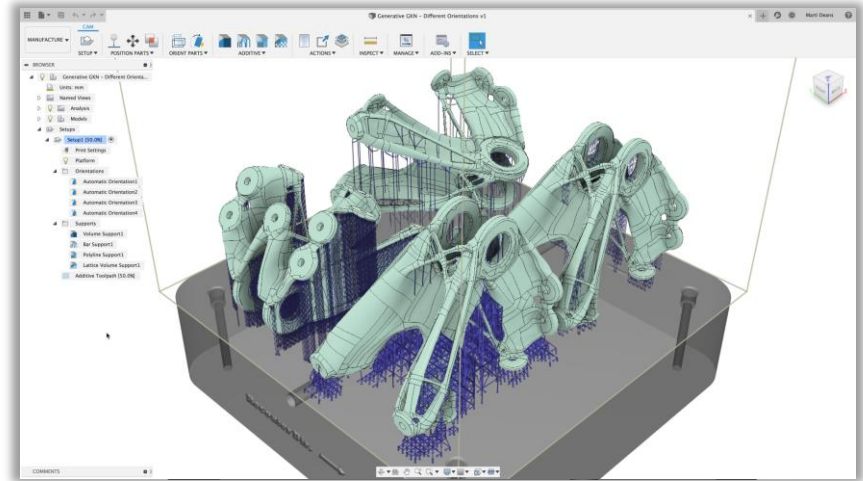
Part Alignment

Manufacturing Extension

Additive



Plastic Additive – FFF



Metal Additive – SLA

Manufacturing Extension

Waterjet/Laser/Plasma

